



DLA-X35W

3D Enabled 3-Chip Full HD D-ILA Front Projector

UPC Code: 046838066733

www.jvc.com

The New JVC DLA-X35W

3D Enabled 3-Chip Full HD D-ILA Front Projector

Procision



DLA-X35W Key Features

A 3D-enabled Full HD projector, the DLA-X35W features three 1920 x 1080 D-ILA devices and is designed around JVC's third generation D-ILA optical engine that is optimized to provide an exceptional native contrast ratio of 50,000:1 for peak whites and deep blacks. To tailor set up to virtually any room it offers a 2X motorized zoom lens, motorized focus and wide vertical and horizontal lens shift adjustment.

Specifications

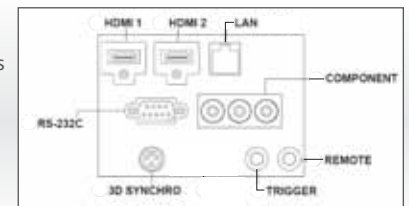
- :: Remarkable 50,000:1 Native Contrast Ratio
- :: 3D Enabled with 3-chip 0.7-inch 1920x1080 D-ILA devices
- :: 2D-3D Conversion
- :: 3D Anamorphic Capable
- :: 3D Parallax Adjustment
- :: 5 Position Lens Memory
- :: Supports Frame Sequential 3D, Side-by-Side 3D and Top-Bottom 3D methods
- :: Exclusive Real Color Imaging Technology
- :: 24p capable 120Hz Clear Motion Drive
- :: 4th Generation Optical Engine
- :: 3 Custom Screen Adjustment Presets
- :: Customized Gamma Control On-screen
- :: 2 Year Warranty
- :: Wide Lens Shift Functionality (V: 80%, H: 34%)
- :: High-performance 2x Motorized Zoom Lens
- :: 1.4:1 to 2.8:1 Lens Throw
- :: User Friendly Image adjustment menu
- :: No Special Screen Required for 3D Playback
- :: Optional Active Shutter Glasses (PK-AG3)
- :: Optional 3D Emitter (PK-EM2)

Notes:

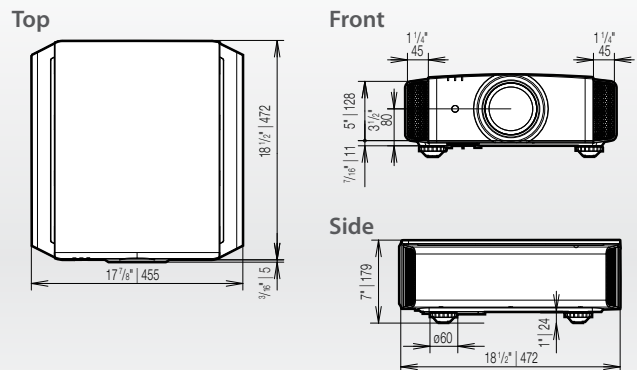
• Specifications are subject to change without notice.
 • HDMI, the HDMI Logo, and High-Definition Multimedia Interface are trademarks or registered trademarks of HDMI Licensing LLC in the United States and other countries.

Inputs & Outputs

- :: Dual HDMI 1.4a Digital Inputs
- :: HD Component Video Input
- :: LAN Connection
- :: RS-232C
- :: 12-Volt Trigger
- :: Remote



Weights & Measurements



Weight: 32.63 lbs. / 14.8 kg.

Distributed By:

JVC Consumer A/V Group | A Division of JVC America Corp.
 1700 Valley Road, Wayne, NJ 07470

Accessories

PK-AG3G - 3D RF Active Shutter Glasses



PK-AG3G

- :: 3D RF Active Shutter Glasses for use with all JVC 3D Projectors
- :: RF Design for easy operation
- :: Requires PK-EM2G 3D RF Emitter
- :: Optically matched for high brightness and color accuracy
- :: Can be switched for 2D viewing with 3D/2D Mode Select
- :: USB charging cable and protective bag provided
 - 100 hour operation with full 2.5 hour charge
- :: Compatible with PK-EM2G 3D RF Emitter. As a set the PKAG3G & PK-EM2G may be used with previous JVC 3D Projectors
 - Not compatible with PK-EM1 3D IR Emitter
- :: Weight: 1.34 oz
- :: UPC: 046838067297

PK-EM2G - 3D RF Emitter



PK-EM2G

- :: 3D RF Emitter for all JVC 3D Projectors
- :: RF Design for easy operation
- :: Easy install. Plugs directly into the back of the projector
- :: 30 foot range in any direction from the emitter
- :: Compatible with PK-AG3G 3D RF active shutter glasses
- :: NOTE: Cannot be used with PK-AG1 or PK-AG2
 - PK-AG1 & PK-AG2 are 3D IR active shutter glasses and require PK-EM1 3D IR Emitter
- :: Weight: .7 oz
- :: UPC: 046838067303

NOTES: